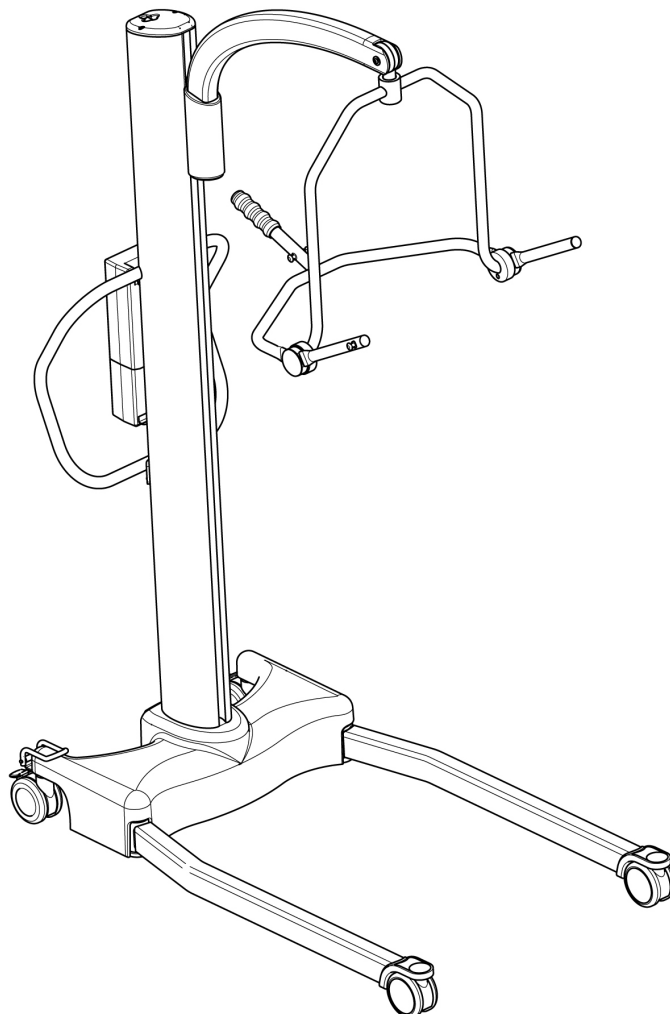


Parts List

Joerns® Lifting & Repositioning Hoyer® Stature®

To avoid injury, read user's manual before using.



Joerns® Lifting & Repositioning
Hoyer® Stature®

Item	Part #	Description	Qty
1	0Y0066	100mm rear caster (braked)	2
2	0Y0073	100mm front caster (non-braked) (inc. load bearing washer and tightening wrench - wrench not shown)	2
3	0Y0185	Mast extrusion (inc. labels)	1
4	0Y0186	Boom extrusion (inc. capping plate and labels, except product name label)	1
5	0Y0187	Boom carrier	1
6	HOY-4PTSB	4-point cradle assembly complete (standard with Stature)	1
7	0Y0189	6-point spreader bar assembly complete (option with Stature)	1
8	0Y0190	Lift strap and pin	1
9	0Y0191	Base assembly (inc. base casting, bottom plate and welded post, not internal parts)	1
10	0Y0192	Foot push pad assembly complete	2
11	0Y0193	Mast to base fixing kit	1
12	0Y0194	Motor gear box and brake assembly complete	1
13	0Y0195	Left leg extrusion (inc. fixings)	1
14	0Y0196	Right leg extrusion (inc. fixings)	1
15	0Y0197	Straight-line steering device	1
16	39001321	Calibrated control box - Smart™ Monitor	1
	0Y0198	Control box - Standard	1
17	0Y0067	Battery pack	1
18	11015019	User handset (Smart™ Monitor only)	1
	0Y0075	User handset (Standard control box)	1
19	0Y0199	Push handle assembly and fixings	1
20	0Y0069	Battery and controller bracket (inc. fixings)	1
21	0Y0200	Mast grommet (cable feed)	2
22	0Y0201	Fixings kit (all bolts, screws and fixings)	1
23	0Y0053	Charger and stand assembly (without charging lead)	1
24	0Y0114	Charger lead (US)	1
25	0Y0202	Emergency descent socket and drive	2
26	0Y0203	Mast top cap	1
27	0Y0218	Base bottom plate	1
28	0Y0219	Leg pivot assembly and fixings (left hand)	1
29	0Y0220	Leg pivot assembly and fixings (right hand)	1
30	0Y0221	Top pulley assembly	1
31	0Y0222	Quick release pin kit	1
32	0Y0223	Brake assembly (separate)	1
33	0Y0224	Motor gearbox assembly (separate)	1
34	0Y0225	Bottom pulley kit	1
35	0Y0226	Leg motor	1
36	0Y0231	Carriage pulley assembly complete	1
37	0Y0380	Spreader bar washer and o-ring spares kit	1
38	0Y0480	Boom end plastic cap	1
39	11015567	Bushing anti-friction for kingpin (After March 2015)	2
40	11012849	Block, end piece (Accessory)	1
41	11012850	Kingpin	1
42	0YJH013360	Motor plate, Stature	1
43	0YJH013370	Bell crank & key, Stature	1
44	808003.10013	Sling retainer assembly	1
-	0Y0227	Wiring kit complete (includes circuit diagram and descriptions) (not shown)	1
-	0Y0228	Limit switch kit (includes 4 proximity switches) (not shown)	1
-	0Y0229	Relay kit (X1) (not shown)	1
-	0Y0230	Diode kit (X4) (not shown)	1
-	0Y0205	Decal set (exc. serial number labels) (not shown)	1
-	0Y0070	Handset clip (not shown)	1
-	0Y0128	Caster tightening wrench (not shown)	1

