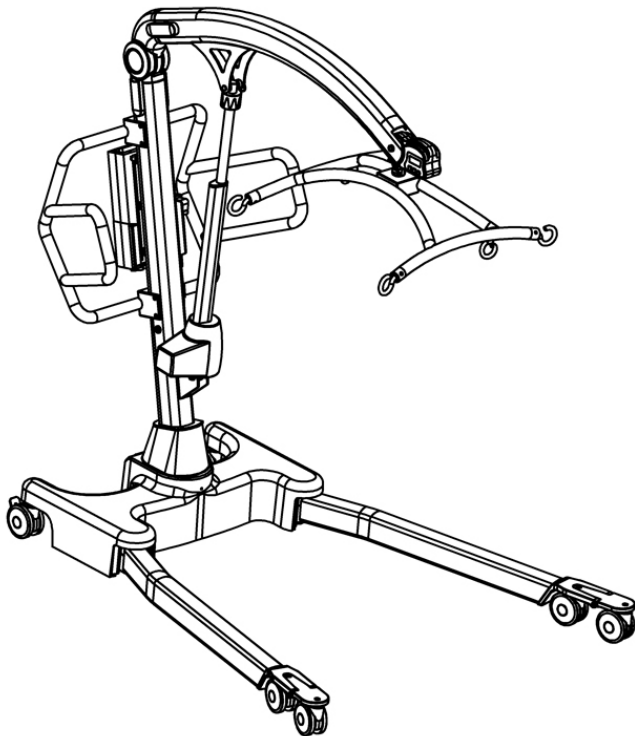


# Parts Manual

## Hoyer® Calibre



NO	PART NUMBER	DESCRIPTION	QTY
1	0Y0066	100mm rear caster (braked)	2
2	0Y0917	Straight line steering device	1
3	0Y1064	100mm front caster pair (non-braked) kit	2
4	0Y0871	Front caster bracket assembly (including casters & fixings)	1
5	0Y0889	Front caster bracket end caps	2
6	0Y0862	Mast extrusion (including decals)	1
7	0Y0864	Boom extrusion (including decals)	1
8	0Y0865	Push handle (including fixings)	1
9	0Y0866	Casted boom to mast pivot joint (including fixings)	1
10	0Y0867	Cradle assembly (no scale) (including decals)	1
11	0Y0895	Cradle and scale assembly	1
12	HOY-SCALE-LPU	Hoyer scale - US (Low profile universal scale - Large 30mm screen)	1
13	0Y0868	Base assembly (including base casting, base plate & fixings)	1
14	0Y0890	Base plate	1
15	0Y0888	Base fixings kit (including leg pivot pins)	1
16	0Y0869	Left leg extrusion (including fixings)	1
17	0Y0870	Right leg extrusion (including fixings)	1
18	39001322	Calibrated control box - Smart™ Monitor	1
	0Y0873	Control box - Standard	1
19	0Y0067	Battery pack	1
20	11015019	User handset (Smart™ Monitor only)	1
	0Y0075	User handset (Standard control box)	1
-	39001369	Actuator reset handset (Smart™ Monitor only) (not shown)	1
21	0Y0053	Charger and stand assembly (exc. charger lead)	1
22	0Y0114	Charger lead (US)	1
23	0Y0078	Foot push pad assembly	2
24	0Y0875	Actuator (including power lead - not shown)	1
-	0Y0893	Actuator power lead (not shown)	1
25	0Y0884	Actuator fixings kit (upper & lower)	1
26	0Y0069	Battery and controller bracket (inc. fixings)	1
27	0Y0877	Leg opening actuator (inc. fixings)	1
28	0Y0886	Leg pivot assembly - left hand (inc. fixings and pivot pin)	1
29	0Y0887	Leg pivot assembly - right hand (inc. fixings and pivot pin)	1
30	0Y0880	Pivot joint caps	2
31	0Y0108	Boom to mast pivot - plastic covers	2
32	0Y0883	Mast to mast pivot - plastic covers	2
33	0Y0885	Boom to scale quick-release pin kit	1
34	0Y0891	Boom end plastic caps - black (Low profile scale - Small 20mm screen)	2
	0Y1066	Boom end plastic caps - black (Low profile universal scale - Large 30mm screen)	2
-	0Y0881	Fixings kit - complete (not shown)	1
-	0Y0892	Cradle wear washer kit (not shown)	1
-	0Y0894	Leg actuator limit switch (not shown)	2
-	0Y0879	Decal set (not shown)	1
-	0Y0128	Caster tightening wrench (not shown)	1

