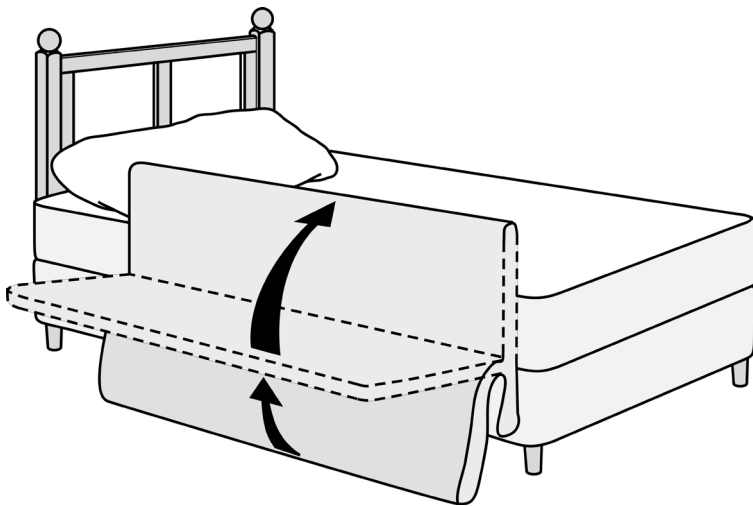


MANGAR LEGLIFTER

USER INSTRUCTIONS



Intended Use

The Mangar Leglifter enables people to raise their legs onto the bed independently or with minimal assistance. Power is provided by the Mangar Airflo 12 compressor.

When properly maintained, the Leglifter will give many years of trouble free service.

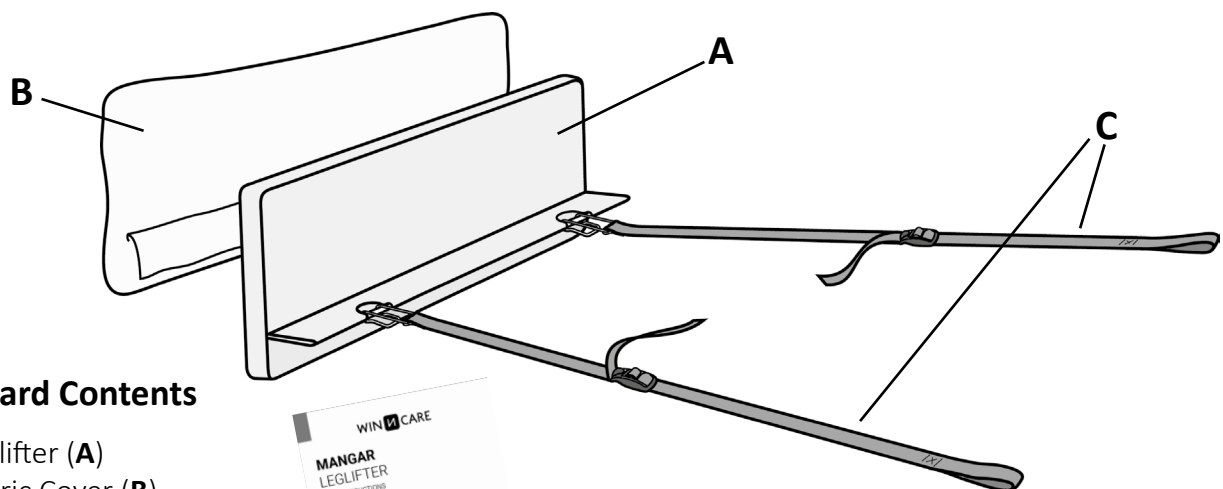


PLEASE READ THE SEPARATE AIRFLO 12 COMPRESSOR INSTRUCTIONS BEFORE USING YOUR LEGLIFTER.



WARNINGS

- Ensure that you have read and fully understand these and the separate Airflo 12 compressor user instructions before using the equipment.
- Only use a Mangar air supply to inflate the Leglifter.
- Ensure that the Leglifter does not come into contact with sharp objects.
- Ensure that the Airflo 12 compressor, air hose and hand control are positioned so as not to present a tripping hazard.
- Do not operate the Airflo 12 compressor in the presence of flammable anaesthetic mixtures with air, oxygen or nitrous oxide, as these mixtures can create a combustible environment leading to the potential for fire or even an explosion in the presence of a spark.
- Ensure that when in use, the Airflo 12 compressor, the hand control lead and air hose are laid out in such a way as to avoid any risk of tripping or strangulation.
- Do not allow children to play with the Leglifter or Airflo 12 as operation of the equipment in an uncontrolled or unsupervised situation may lead to personal injury and/or damage.

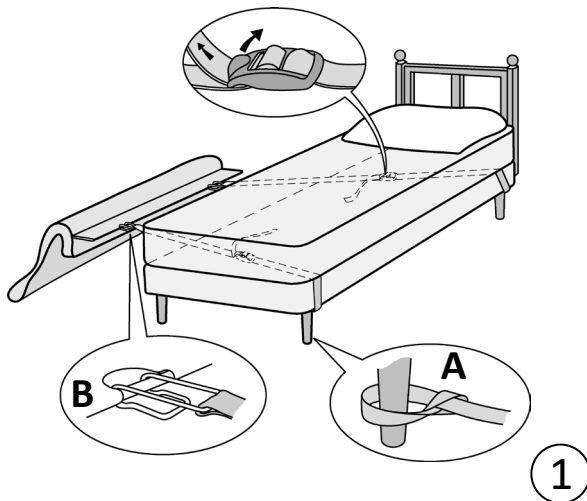


Standard Contents

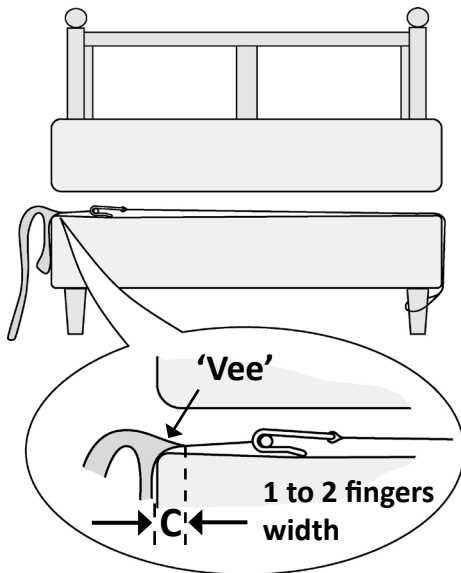
- 1 x Leglifter (A)
- 1 x Fabric Cover (B)
- 2 x Fitting Straps (C)
- 1 x User Instructions

LEGLIFTER

ENGLISH



1



2

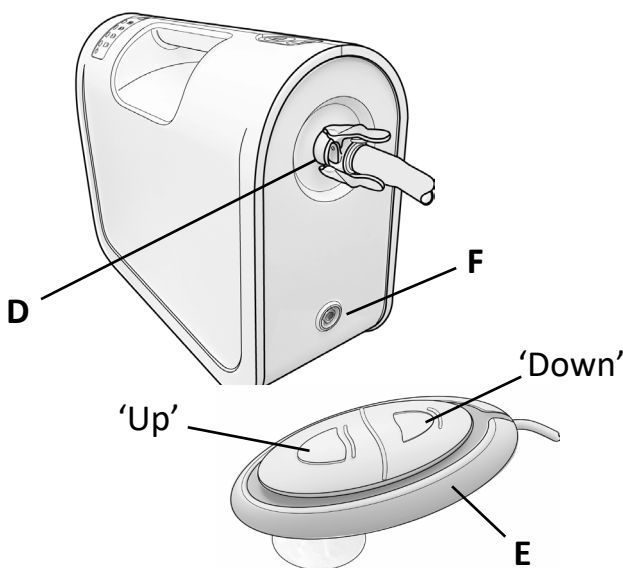
Standard fitting instructions

- Fit the looped end of each strap around the legs, castors or bed frame on the opposite side of the bed (**A** fig. 1) and pass the straps under the mattress.
- Fit the hook of each strap onto the Leglifter flap (**B** fig.1) and position the Leglifter loosely alongside the bed, clear of any obstacles such as a bedside table.
- Tighten the straps to pull the edge of the flap ('Vee' of deflated Leglifter) under the mattress by approximately 1 to 2 fingers width (**C** fig.2).

- Connect the air hose from the Leglifter to the Airflo 12 air outlet socket (**D** fig. 3).
- Connect the hand control (**E** fig. 3) to the hand control socket (**F** fig. 3).
- Press 'Up' on the hand control and check that the Leglifter inflates to fully vertical against the mattress. Further tighten the straps if necessary.

NOTE: Upon final adjustment, the edge of the flap ('Vee' of deflated Leglifter- fig. 2) should be about 1 to 2 fingers width from the edge of the bed frame/mattress. This will vary according to bed type e.g. divan, sprung divan, narrow framed bed.

- Place the Airflo 12 compressor by the side or under the bed in an out of the way position.



3

Fitting instructions (Profiling Beds)

The flexible construction of the deflated Leglifter makes it ideal for use with most types of profiling bed. However, please carefully follow these guidelines to avoid any conflict with moving sections of the bed.

- Remove the mattress from the bed.
- Raise and lower the backrest and legrest sections of the bed to identify strap positions which best avoid chafing/fouling of the straps.
- On the opposite side of the bed to where the Leglifter is to be fitted, secure the loop end of each strap to the inner frame as indicated (**A** fig.4). **NOTE:** Wrap the strap around the frame several times so as to shorten the strap length, allowing the adjuster buckle to lie near the centre line of the bed.

WARNING: When fitting to a bed with a Low/High function, ensure that the straps are attached to the frame which moves up and down.

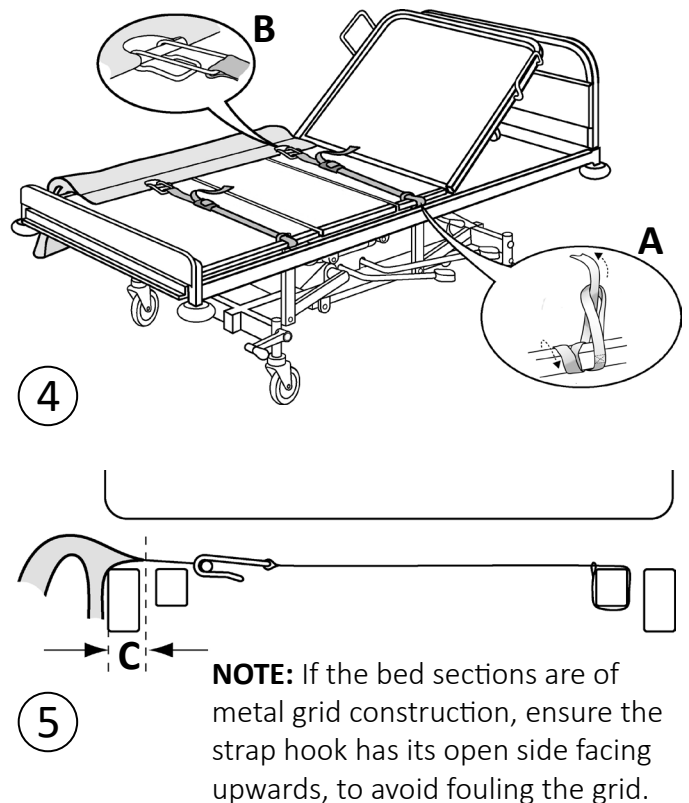
- Hook the two straps onto the flap of the Leglifter as indicated in (**B** fig.4) and pull on the strap at the adjuster buckle to draw the 'Vee' of the deflated Leglifter inwards over the bed frame and under the mattress by about 1 to 2 fingers width (**C** fig.5).
- Raise and lower the backrest and legrest sections of the bed, checking to ensure that the straps do not interfere with the bed's functions.
- Refit the mattress.
- Connect the Leglifter to the Airflo 12 compressor and with the backrest and legrest sections of the bed in the horizontal position, test that the Leglifter inflates to fully vertical against the mattress. Tighten the straps further if necessary. Upon final adjustment, the edge of the flap settles to sit on the frame (under the mattress) by about 1 to 2 fingers width.

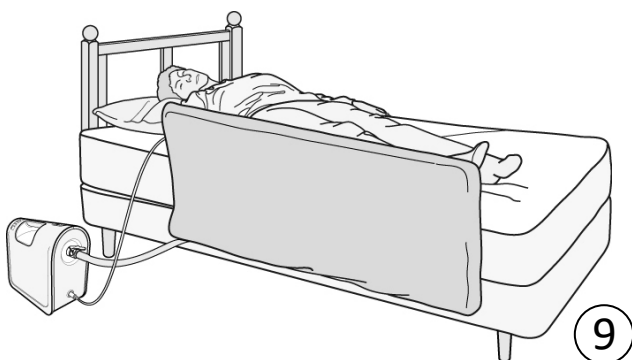
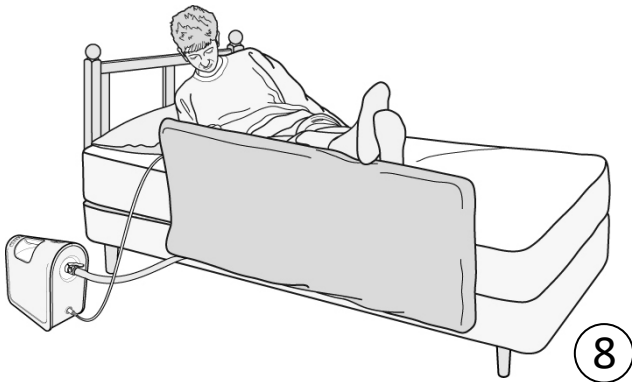
NOTE: Normally, the Leglifter should be operated with all bed sections in the horizontal position. If necessary, the backrest can be raised up to 45° to assist upper body stability while the legs are raised.

WARNINGS:

- Do not operate the Leglifter when the bed's legrest is raised.
- Do not raise the bed's legrest when the Leglifter is inflated.
- Always deflate the Leglifter after the legs have been safely positioned on the bed.

NOTE: Where fitted, any integral cotside on the transfer side of the bed must be removed to permit effective fitting and operation of the leglifter.





Operating instructions

- Sit on the bed at your normal entry point and as far across the bed as possible. Angle your legs towards the foot of the bed as far as is comfortable (fig. 6). If possible, use one arm for support as illustrated, until you are ready to lie down. Some clients prefer to use a bed lever for this purpose.

- To lift your legs onto the bed, press 'Up' on the hand control. Release the 'Up' button to stop at the half-way stage and/or any convenient point and adjust your position to improve the angle of your legs (fig. 7).

- Fully raise the Leglifter, allowing your legs to slide along the cushion and gently drop onto the bed (figs. 8 & 9).

- Deflate the Leglifter by holding the 'Down' button for a few seconds; release the button and the Leglifter will carry on deflating.

Note: If the Leglifter is only partially inflated, to activate the deflate function the Leglifter should be fully inflated before pressing the deflate function.

Cleaning

Routine cleaning

- Remove the cover and inflate the Leglifter. Sponge clean with a non abrasive proprietary liquid cleaner or disinfectant and dry thoroughly. **Do not dry using hot air.**
- The cover can be machine washed up to 40°C; low heat tumble dried and medium heat ironed. Do not dry clean or use bleach.

Disinfection

- The cover should be removed and the Leglifter fully inflated. The Leglifter should be pre-cleaned by washing with detergent and water and then disinfected using a 1:10 solution of household liquid bleach and water (1 part bleach to 10 parts cold water). Leave the solution on the Leglifter for approximately 10 minutes before thoroughly rinsing off with clean cold water. **Do not dry using hot air.**

Storage

Ensure that the Leglifter is thoroughly dry before storing. Store deflated.

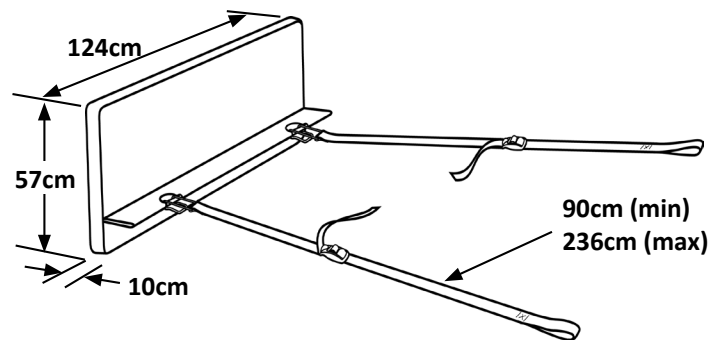
Maintenance

- Periodically check the air hose for signs of damage or wear.
- Periodically check the fitting straps for signs of damage or wear.
- Regularly launder the cover and allow to thoroughly dry before refitting.

WinnCare recommends that your Leglifter is inspected annually by either your supplier or other suitably qualified person. If required, WinnCare can provide the above inspection within an annual service contract. Please contact our Customer Service Department for further details on **Freephone 0800 2800 485**.

Specifications

(Inflated) 124cm x 57cm x 10cm
Max. Air Pressure: 0,35 bar (5psi)
Max. Temperature: 50°C



We strive to provide our customers with reliable and durable products of the highest quality. In addition to our standard warranty, and for added peace of mind, our Customer Service Department offers **Annual Service packages**.

To find out more about this service please call our Customer Service Department on **Freephone 0800 2800 485**.

Mangar International, trading as WinnCare, reserves the right to alter product specifications and/or any of the information contained within this document without notice.

Warranty

The warranty is given against defects in material and workmanship and comprises piece, parts and labour. The warranty is not valid in the case of fair wear and tear, wilful damage, common neglect, misuse or unauthorised alteration or repair by unqualified persons.

The following statements do not affect the consumer's statutory rights. This product is sold on the understanding that in the event of any defect of manufacture or material appearing within the warranty period, the defect will be rectified free of charge providing that:

- (a) Reasonable evidence is provided (e.g. purchase invoice, delivery note) that the claim is being made within the warranty period.
- (b) The defect is not attributable to accidental damage (either in transit or otherwise), misuse or unauthorised repair.

Declaration of Conformity

Mangar International as manufacturer hereby declares that the following products conform to the:

- Applicable provisions of Regulation (EU) 2017/745 of the European Parliament and of the Council of 5 April 2017
- UK Medical Devices Regulations 2002

and following standards:

BS EN 60601-1-6:2010 and A1:2015.

BS EN 60601-1:2006 and A12:2014.

BS EN 60601-1-11:2015.

BS EN 62366-1:2015.

Trade name: Airflo 12 with Leg lifter
Basic UDI-DI: 5020833MPCA140500PQ
Product Classification: ISO 9999:2016, 12 36 18 Assistive products for lifting persons
Classification: MDR Class 1

21.09.2020

Place and Date



Simon Claridge, CEO



LEGLIFTER

ENGLISH

Leglifter serial number:

Date of purchase:

Invoice/Delivery note number:

WIN CARE

WinnCare is a trading name of Mangar International Ltd.

Mangar International Ltd, Presteigne, Powys,
Wales, LD8 2UF

United Kingdom

Tel: +44 (0)1544 267674

Fax: +44 (0)1544 260287

enquiries@winnCare.uk

mangarhealth.com

**UK
CA** 

EC REP

WINNCARE France
4, Le Pas du Château -
85670 Saint-Paul-Mont-
Penit - France
Tél : +33 (0)2 51 98 55 64
www.winnCare.fr